



ELECTRONIC CONTROL

Simple and user friendly, 2 selectable operating modes:

- AUTO mode: automatic management of ironing speed according to the selected temperature
- MANUAL mode: selection of temperature and speed



EFFICIENCY

Good heat conduction thanks to the roll material and thickness: greater control of energy expenditure
Automatic shutdown at 80°C (adjustable parameter)
Fumes circulation circuit from the bottom reducing energy consumption



ROBUSTNESS

Roll driving by speed inverter
Nomex quality feeding and ironing belts:
high temperatures resistant
Panels in skinplate and stainless steel.
Coiled felt for greater lifespan
Nickel plate roll as option: anticorrosive, more durable



ERGONOMICS

Acoustic comfort : <65 dB
Appropriate operating height: 990 mm feeding belts
Minimal encumbrance: space saving, suitable for most spaces
Electronic control with Auto mode: easy to use, optimized ironing speed



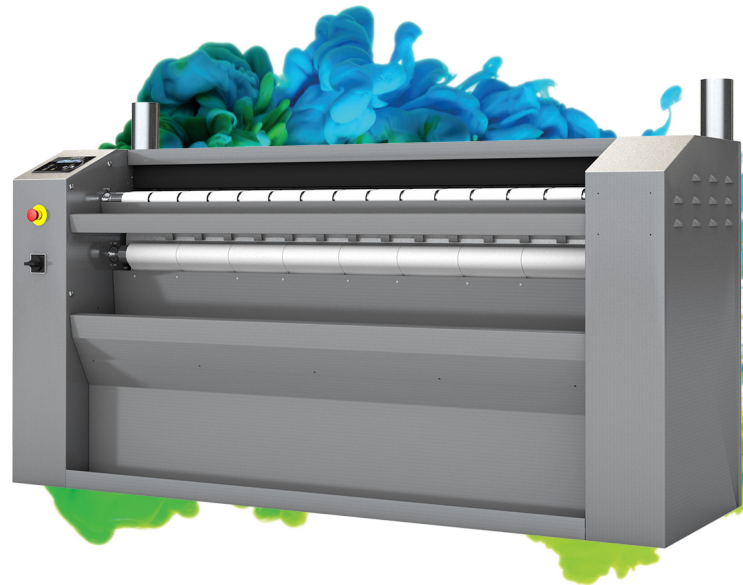
MAINTENANCE

Easy access to all components on both sides of the machine
Basic connections : electrical connection and air extraction



OTHERS

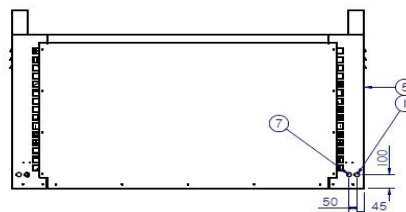
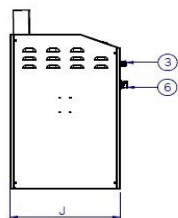
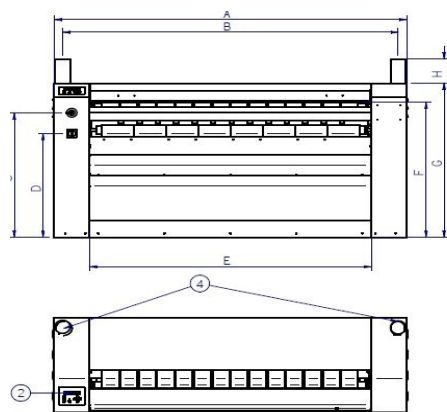
Dries and irons flat linen from a high spin washer extractor in a single operation
Front feeding and return
Built-in cool down system
Polished steel roll ø 325 mm
Roll length: 1400, 1600 and 2000 mm
Electric or atmospheric gas heating
CE standard



OPTIONS

- EFFICIENT IRON: automatic regulation of ironing speed according to residual moisture
- Nickel plate roll
- Tension 440V III 60 Hz without N (electric models)
- Tension 230V III 50-60 Hz

TECHNICAL DATA	UNIT.	CM-1432 M	CM-1632 M	CM-2032 M			
GENERAL DATA							
Theoretical production*	Kg/h	15-18	25-30	35-40			
Atmo. gas theoretical production*	Kg/h	15-18	25-30	35-40			
Radiant gas theoretical production*	Kg/h	-	-	-			
Evaporation power	Kg/h	7-14	14-21	21-28			
∅ Roll	mm	325	325	325			
Working length	mm	1.400	1.600	2.000			
Feeding bands height	mm	990	990	990			
Ironing speed	mt/min	1,5 - 10	1,5 - 10	1,5 - 10			
Electronic control		Yes	Yes	Yes			
No of programs	Nº	2	2	2			
Rear exit + length folder		-	-	-			
POWER							
Electric heating	kW	12	16,2	21			
Total electric power (elec. mod.)	kW	12,37	16,57	21,49			
Gas heating	kW	14	22,5	30			
Total electric power (gas mod.)	kW	0,37	0,37	0,49			
Steam heating	kW	-	-	-			
Total electric power (steam mod.)	kW	-	-	-			
Roll motor	kW	0,28	0,28	0,28			
Fan motor	kW	0,12	0,12	0,12x2			
Folder add. elec. power	kW	-	-	-			
Folder+rear exit add. elec. power	kW	-	-	-			
CONNECTIONS							
		ELECT / GAS		ELECT / GAS		ELECT / GAS	
Tension 230V - III + T	Nº x mm²/A	4x6 / 32A	4x2,5 / 6A	4x10 / 50A	4x2,5 / 6A	4x16 / 63A	4x2,5 / 6A
Tension 400V - III + N + T	Nº x mm²/A	5x4 / 20A	5x2,5 / 6A	5x4 / 25A	5x2,5 / 6A	5x6 / 32A	5x2,5 / 6A
∅ Gas inlet		1/2"		1/2"		1/2"	
∅ Steam inlet		-		-		-	
∅ condensed (steam model)		-		-		-	
OVERALL DIMENSIONS / PACKING DIMENSIONS							
Net / gross width	mm	1.952 / 2.340		2.202 / 2.340		2.552 / 2.780	
Net / gross depth**	mm	686 / 770		686 / 770		686 / 770	
Net / gross height	mm	1.112 / 1.400		1.112 / 1.400		1.112 / 1.400	
Net / gross weight	Kg	330 / 365		385 / 405		435 / 458	
Volume	m³	1,49 / 2,52		1,68 / 2,52		1,95 / 3,00	
OTHERS							
No fume outlet	Nº	1		1		2	
∅ Extraction	mm	98		98		98	
Airflow	m3/h	500		500		1000	
Sound level	dB	60		60		63	



*45 % moisture

- 01. Electrical connection
- 02. BM Control
- 03. Emergency stop
- 04. ∅ 98 mm extraction
- 05. Crank
- 06. Main switch

	A	B	C	D	E	F	G	H	I	J
CM-1432 M	1.952	1.846	900	750	1.510	980	1.112	140	746	686
CM-1632 M	2.202	2.096	900	750	1.760	980	1.112	140	746	686
CM-2032 M	2.552	2.446	900	750	2.110	980	1.112	140	746	686